

# CS 378 – Big Data Programming

## Lecture 12

### User Sessions from Logs

# Review

- Assignment 5 – Avro Objects
- We'll look at implementation details of:
  - Mapper
  - Combiner
    - Should we use one? Can we use one?
  - Reducer
  - Avro generated Java code

# AVRO Field Definitions

- Unions
  - With defaults
- Enumerations
  - In unions
  - With defaults

# Review - Design Pattern

- Structured to hierarchical design pattern
- Data sources linked by some foreign key
- Data is structured and row based
  - For example, from databases
- Data is semi-structured and event based
  - Web logs

# Sessionizing Web Logs

- Create user sessions from web logs
- Represents all the actions by a user
- Allows later analysis to “replay” the user actions
- Collect measures and metrics about user behavior
  - Pages viewed, time on page, clicks
  - Path through the site, entry to the site (from a search engine?)

# Sessionizing Web Logs

- To start (this or any “big data” application)
- We need to understand the data
  - Fields, values
  - Data size
- We need to define our goal
  - What do we want to end up with

# Web Logs

- Let's look at some data
- Logs saved in database
  - Log entries already have structure
  - Tab separated values
  - Easily parsed (lots of work has been done for us)

# Web Logs

- Our goal is to aggregate user actions into sessions, so we can better understand
  - User behavior
  - The impact changes have on user behavior
- So what should a session look like?

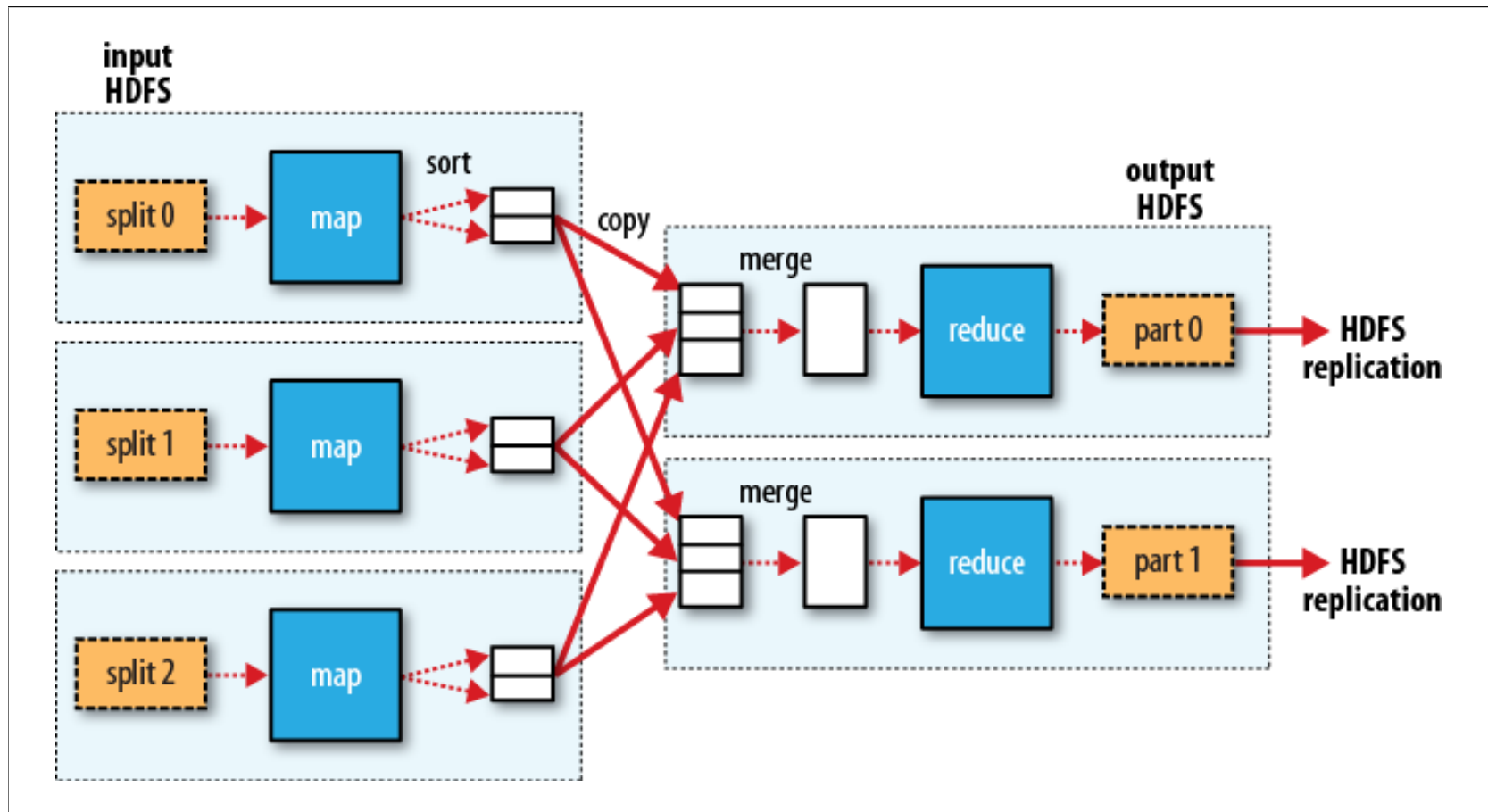


# User Session

- Data about the session as a whole
- List of events (pages viewed, actions taken)
  - Ordered in time
- In our logs, what data is session-wide
- What data is impression/action specific

# MapReduce in Hadoop

Figure 2.4, Hadoop - The Definitive Guide



# Assignment 6

- Define an Avro object for user session
  - One user session for each unique userID
  - Session will include an array of events
  - Events ordered by timestamp
- Identify data associated with the session as a whole
- Identify data associated with individual events
- Include all the fields in the log entries
- Create enums where requested
  - `body_style`, `cab_style`, `vehicle_condition`

# Assignment 6

- Run WordCount on `dataSet6.tsv` – see what's in it
  - Modify WordCount to output values for each field:
    - `fieldname:value`
  - Ignore these fields (they have lots of values):
    - `event_timestamp`, `image_count`, `initial_price`, `mileage`, `referrer`, `user_id`, `vin`
- `event_type`
  - Break this into two fields in your schema:
  - `event_type` (enum), `event_subtype` (enum)
  - See file `eventTypeSubtype.txt` on Canvas for values

# Assignment 6

## Recommendations

- Get your app working with just a few fields populated
  - Session with no events
  - Add events, but just a few fields first
  - Extend the schema
  - Populate the new field(s) in your schema
- Look at file `dataSet6Small.tsv` (on Canvas) to understand the data
- Write some unit tests as you go